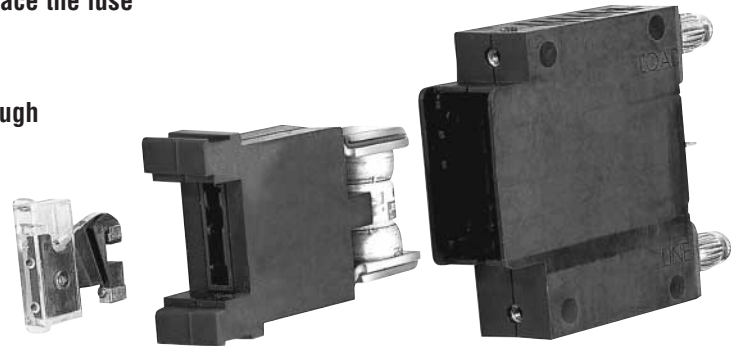


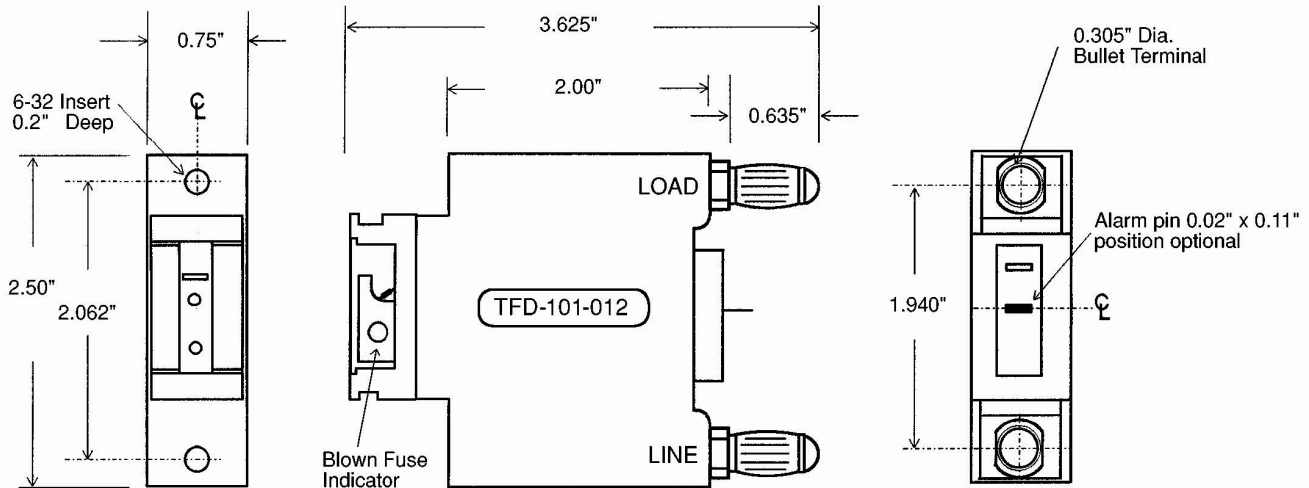


TYPE: TFD-101 – 1 to 125 Amps, 80 Vdc

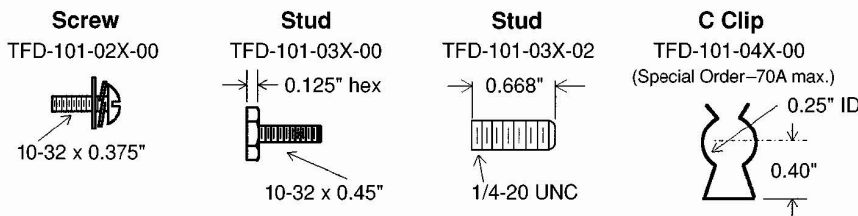
- Innovative pullout design eliminates need for tools to replace the fuse
- Bullet terminals standard for line and load connections
- Front access to fuse
- Alarm signalling circuit (visual and remote) activates through line (standard) or load (optional) terminals
- For use with fuse types: Littelfuse® TLS or Bussmann® TPS (not supplied)
- Thermoplastic housing material UL Rated 94V-0, 170°C
- Mounting hardware is not required if used with bullet terminals. For front panel mounting use 6-32 screws



Dimensional Data (for standard product TFD-101-012)



Optional Terminals



[Click here for Optional internal wiring schematics](#)
Contact CSI for details

Specifications

- Current Rating:** 1-125 Amps
- Voltage Rating:** 80 Volts DC
- UL Withstand Rating:** 100,000 Amps
- Switching:** 1000 cycles @ 100% rated current
50 cycles @ 150% rated current
5 cycles @ 600% rated current
- U.S. Patent No.:** Des. 452,484

Agency Approvals

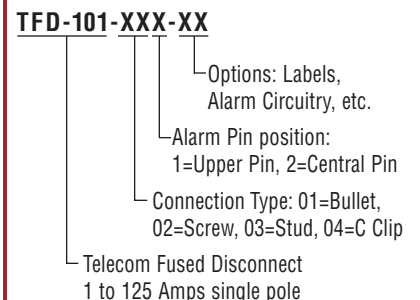
UL Recognized, File E122674

Fuses

- For use with the following fuses:
- Littelfuse® type TLS up to 125A or Telpower® type TPS up to 70A fuses
 - Alarm fuse type 0481.180HXL or GMT 18/100A

Application Note: The alarm circuit is not intended for precharging of capacitive circuits. Alarm circuit 1 Amp maximum.

How To Order



Tolerances ± .015 for the hole diameters. Other tolerances ± .030 unless specified. Dimensions subject to change without notice.