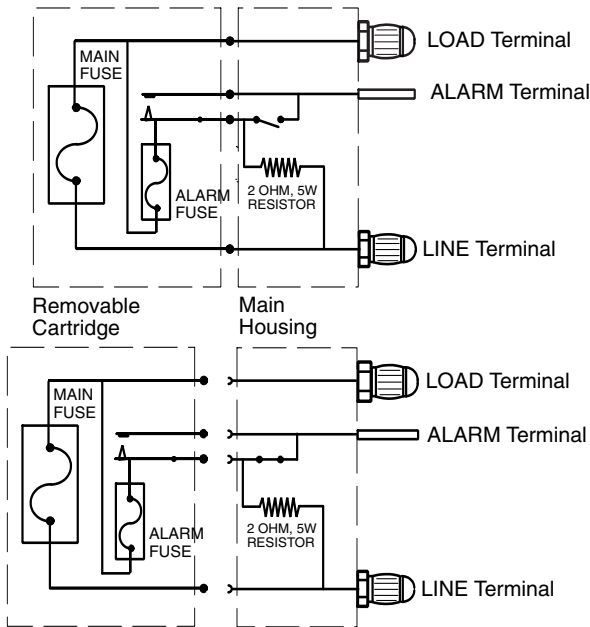




TFD-101 Internal Schematics – A to D (See next page for Schematics E to H)

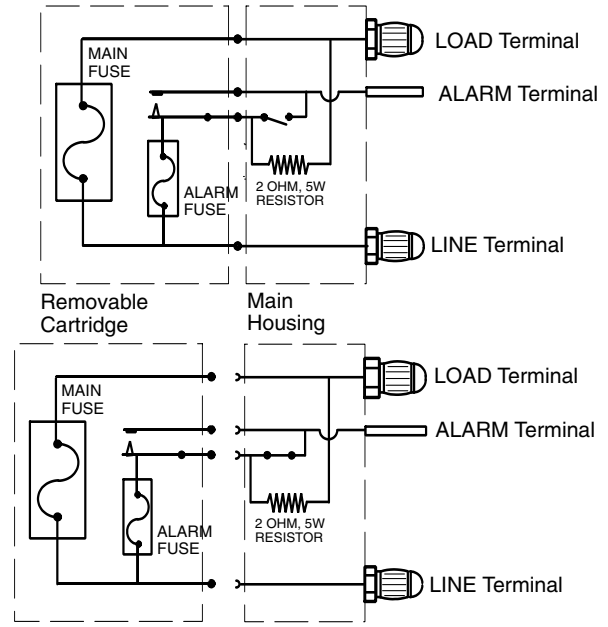
TFD-101 – INTERNAL SCHEMATIC "A"

Alarm Circuit Activates Through Line Terminal (Standard)



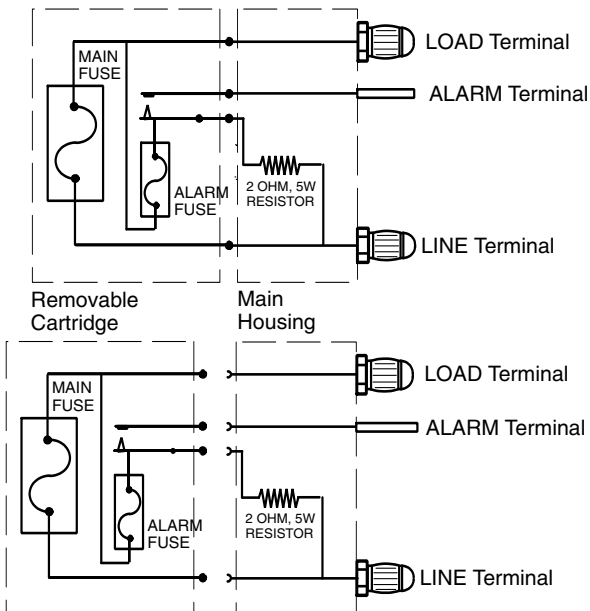
TFD-101 – INTERNAL SCHEMATIC "B"

Alarm Circuit Activates Through Load Terminal



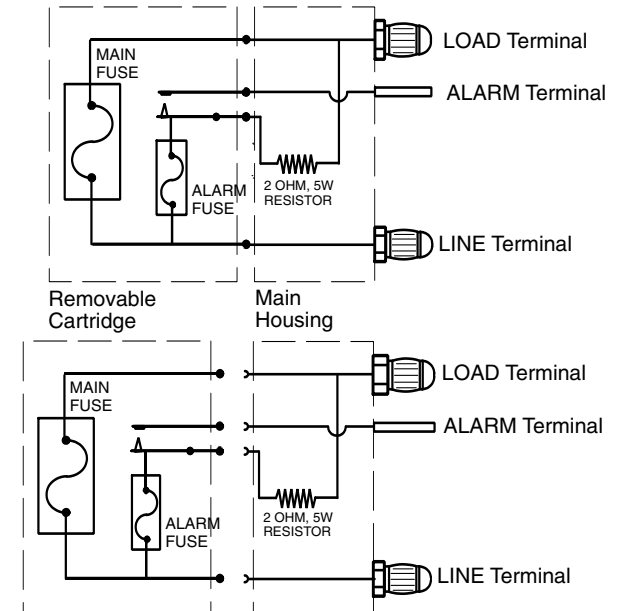
TFD-101 – INTERNAL SCHEMATIC "C"

Alarm Circuit Activates Through Line Terminal
Cartridge Removed Alarm De-activated



TFD-101 – INTERNAL SCHEMATIC "D"

Alarm Circuit Activates Through Load Terminal
Cartridge Removed Alarm De-activated

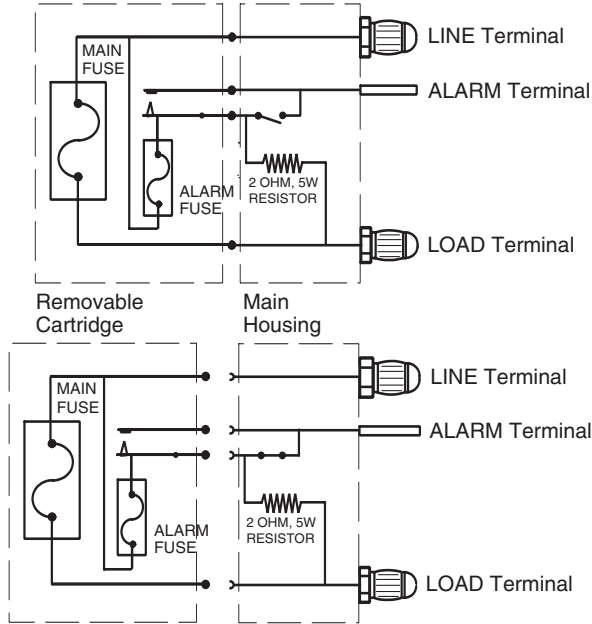




TFD-101 Internal Schematics – E to H (See previous page for Schematics A to D)

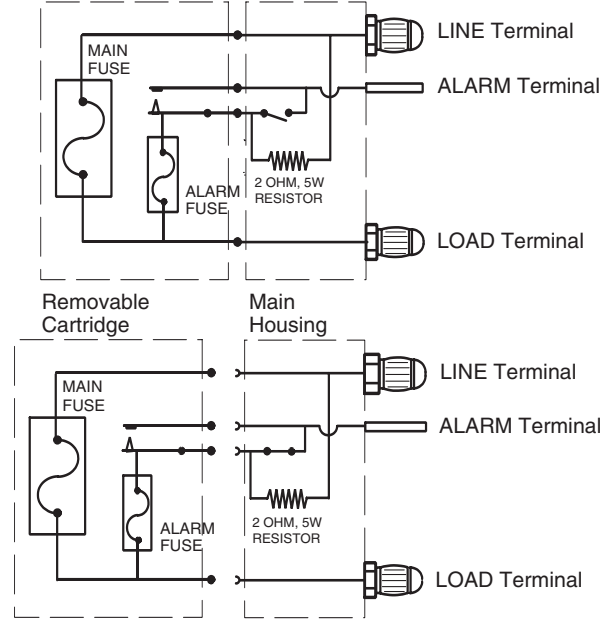
TFD-101 – INTERNAL SCHEMATIC "E"

Alarm Circuit Activates Through Load Terminal
Line Terminal in Upper Position



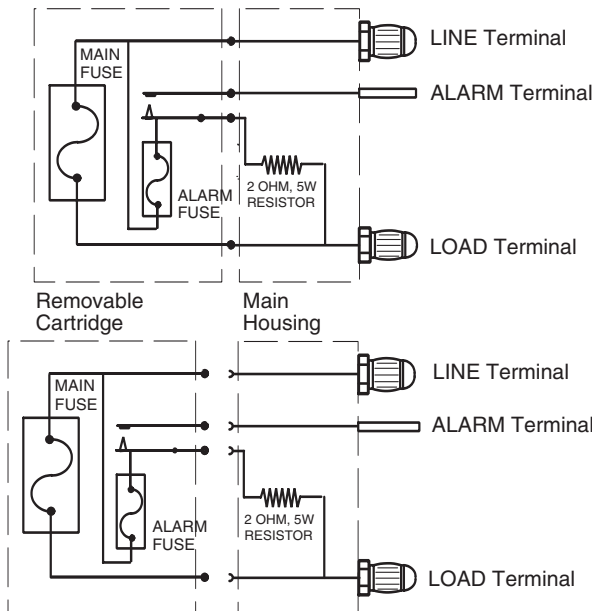
TFD-101 – INTERNAL SCHEMATIC "F"

Alarm Circuit Activates Through Line Terminal
Line Terminal in Upper Position



TFD-101 – INTERNAL SCHEMATIC "G"

Alarm Circuit Activates Through Load Terminal
Cartridge Removed Alarm De-activated
Line Terminal in Upper Position



TFD-101 – INTERNAL SCHEMATIC "H"

Alarm Circuit Activates Through Line Terminal
Cartridge Removed Alarm De-activated
Line Terminal in Upper Position

